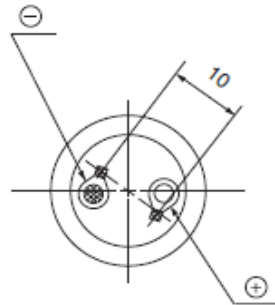
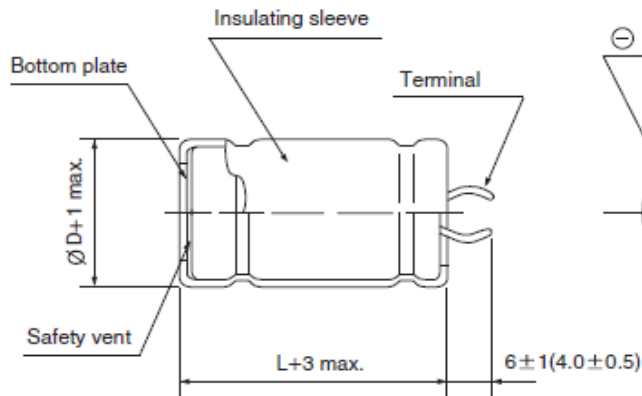


Produktübersicht ULTRACAP mittlere Zellen mit UL Fab. SAMWHA

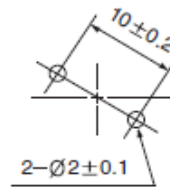
CapComp GmbH - Gründelbachstr. 10 - D-71691 Freiberg/Neckar
 www.capcomp.de - shop24.capcomp.de - Tel: +49 7141 298950
 Stand 01.06.2023



Series	Part Number	Voltage (V)	Capacity (F)	ESR (mΩ)		LC (mA) (RT 72hrs)	Rated Current (A) 15/40°C	Peak Current (A)	Max Energy Stored (Wh)	Max Energy Density (Wh/Kg)	Weight (g)	Packaging (pcs/carton)	Dimension (mm)		
				AC@(1kHz)	DC								Diameter	L1	L2
DA SnapIn	DA0U107W22045HA	3,0	100	7,0	9,0	0,30	12,5/20	79	0,13	5,95	21		22	45	51
	DA0U127W22047HA	3,0	120	7,0	9,0	0,36	8,5/	87	0,15	6,52	23	150/450	22	47	53
	DA0U207W30045HA	3,0	200	6,0	8,0	0,60	13/21	115	0,25	6,58	38		30	45	51
	DA0U307W35050HA	3,0	300	3,5	5,0	0,90	16/26,5	180	0,38	6,58	57		35	50	56
	DA0U367W35060HA	3,0	360	3,2	3,8	1,08	23/38	228	0,45	6,43	70		35	60	66
	DA0U387W35060HA	3,0	380	3,0	3,2	1,00	25/40	257	0,48	6,60	72		35	60	66
	DA0U437B35065HA	3,0	430	2,8	3,0	1,00	25/40	282	0,54	6,72	80		35	65	71
	DA0U487C35070HA	3,0	480	2,8	3,0	1,00	25/40	295	0,60	6,82	88		35	70	76
	DA0U607B35085HA	3,0	600	2,8	3,0	1,80	25/41	321	0,75	7,50	100		35	85	91



PC Board Mounting Holes



Terminal

